


**AXA HOME SECURITY**
**EN**

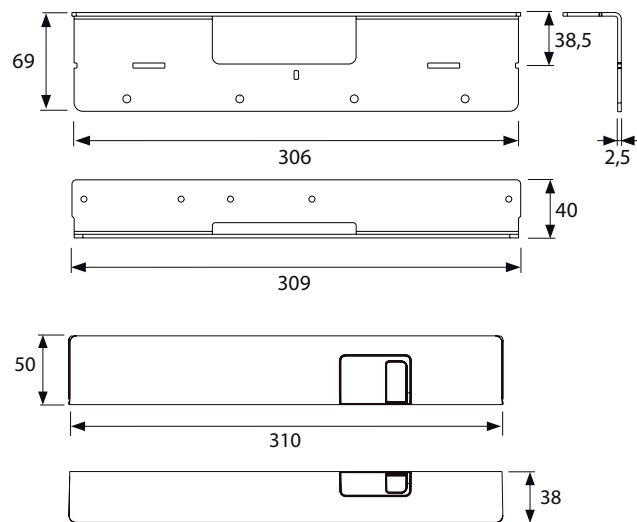
**AXA Remote 2.0**

EMC 2004/108/EC

## Remote-controlled window opener

### Information

You have just acquired a high quality AXA product.  
The instructions below must be followed closely in order to effectively assemble and operate this product.



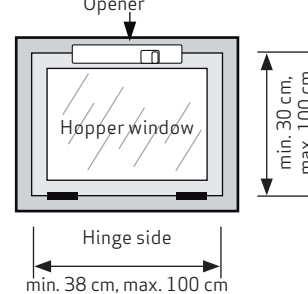
#### Application:

Hopper/bottom-hung window, opening inwards  
We recommend combining the AXA Remote with 2 fanlight holder (art. no. 3385-18-23).

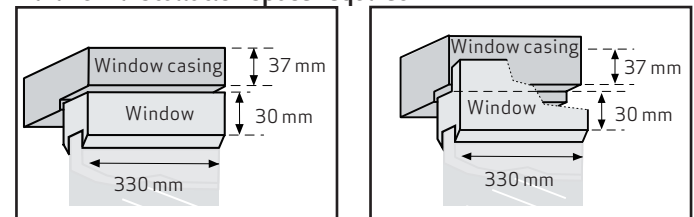
#### Installation tools (recommended):

Tape measure, (cordless) drill, screwdriver, Ø 2 mm drill bit, pencil or bradawl, allen key

#### Installation location:



#### Minimum installation space required

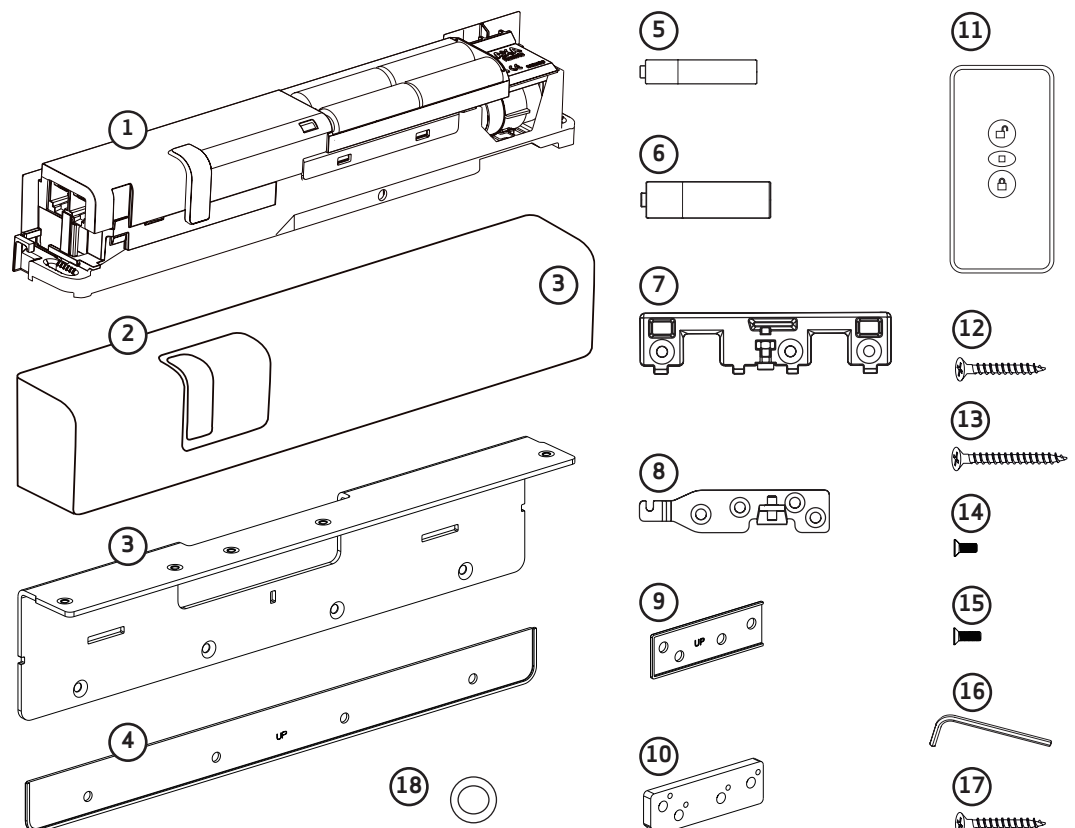


Minimum window height: 30 cm.

Maximum range remote control: distance 10 m.

#### Package contents

1. (1x) Closing unit
2. (1x) Cover
3. (1x) Hopper window bracket
4. (3x) Window washer plate (1,5 mm)
5. (2x) AAA Batteries
6. (4x) AA Batteries
7. 1x) Window plate
8. (1x) Window casing plate
9. (6x) Casing washer plate (1,5 mm)
10. (3x) Spacer block/drilling template
11. (1x) Remote control
12. (4x) Screws 4,0 x 40 mm
13. (4x) Screws 4,0 x 70 mm (for rebate)
14. (3x) Bolts M4 x10 mm (black)
15. (2x) Bolts M4 x12 mm
16. (1x) Allen key
17. (4x) Screws 4,0 x 45 mm
18. (4x) Finishing caps





# AXA HOME SECURITY

## AXA Remote 2.0

EN



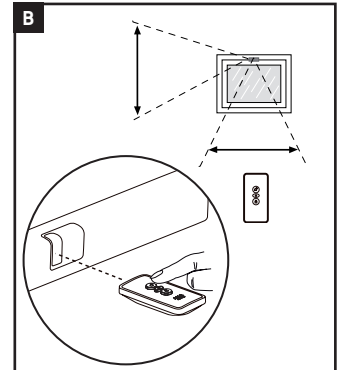
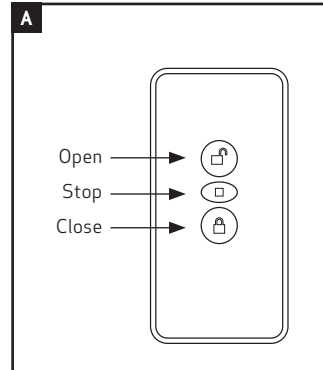
EMC 2004/108/EC

## Remote-controlled window opener

### User manual

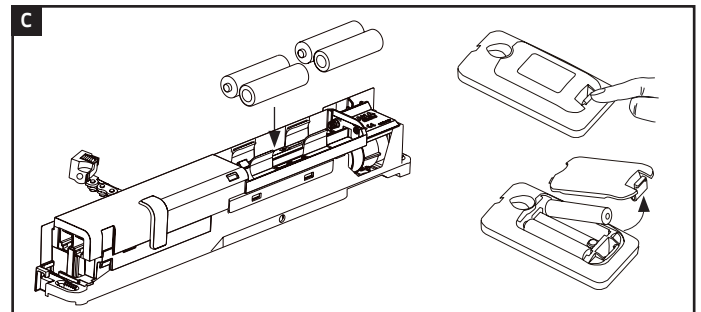
#### Remote control (figure **A**):

The remote control has 3 buttons: Open, Stop and Close. When the Open or Close buttons are pressed briefly, the window will fully open or close. When the Open or Close buttons are pressed continuously, the window will open or close as long as the button is pressed. When the Stop button is pressed, the movement will be stopped. Always point the remote control at the front of the closing unit **1** (figure **B**).



#### Configuring remote control:

- Place 2x AAA batteries **5** in the remote control **11** and 4x AA batteries **6** in the closing unit (figure **C**).
- The LED light in the closing unit will come on for 20 seconds (green). Press the Open button (top button) on the remote control. The light will briefly turn off when configuration has taken place.

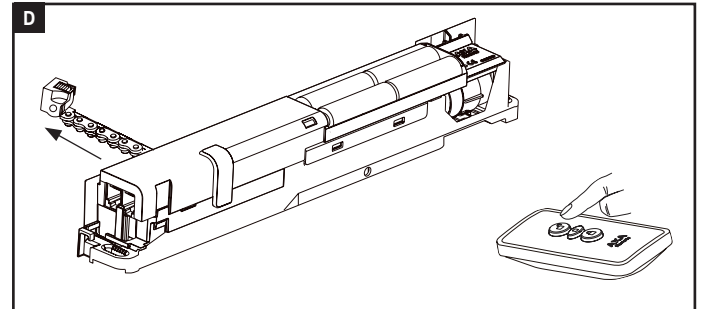


The configuration time is 20 seconds. The LED light will switch off once this time passes. If you want to configure the remote control or another remote control, you must briefly remove the batteries and then re-insert them. Then repeat step 2.



- A remote control can be configured to an unlimited number of window units.
- A window unit can be configured to maximum 8 remote controls.

- Press the Open button again and allow the chain to fully exit the closing unit. The closing unit is now ready for assembly (figure **D**).



#### Ventilation capacity

According to NEN 1087 and NEN 8087, which identify minimum ventilation per area, the AXA Remote 2.0 complies with the minimum ventilation capacity of 25 m<sup>3</sup>/hour per area, based on a window surface area of 0.26 m<sup>2</sup>. Due to its many opening possibilities, the AXA Remote 2.0 is also suitable for aeration. For the mentioned window size, each AXA Remote 2.0 is able to sufficiently ventilate an area of 22.5 m<sup>2</sup>. The AXA Remote 2.0 also complies with the capacity guideline established in NPR 1088 because it enables continuous opening and closing. This allows the required ventilation to be arranged.



# AXA HOME SECURITY

## AXA Remote 2.0

EN



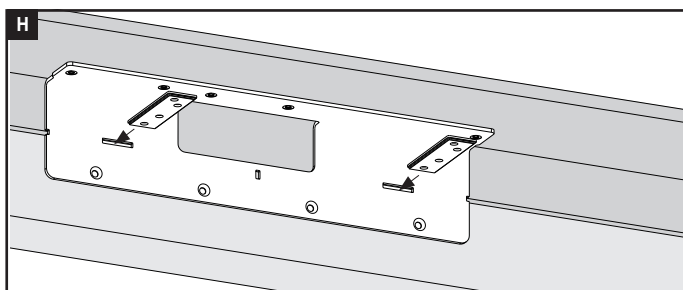
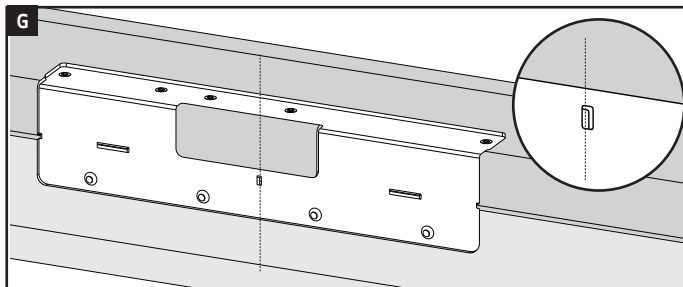
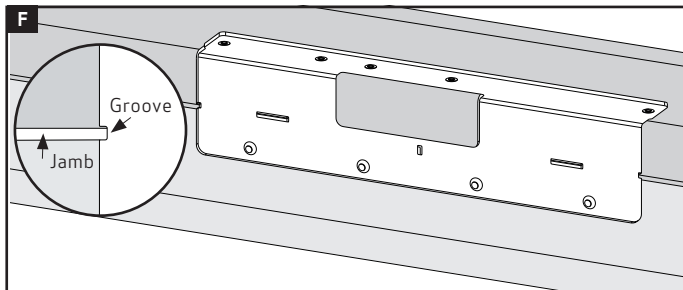
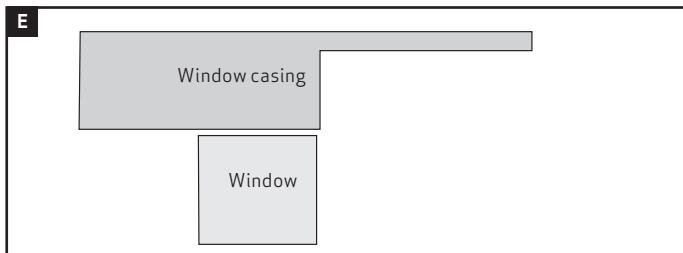
EMC 2004/108/EC

### Remote-controlled window opener

## Installation manual

### Preparation for installation on a flush window (figure E)

- 4 Check whether the window closes effortlessly.
- 5 Make sure the window comes to lie flush with the casing (figure E). Use the window washer plate here if necessary (4).
- 6 Mark the middle of the window on the window casing.
- 7 Make sure that the groove on the left side of the hopper window bracket is at the same height as the window jamb (figure F). Centre the hopper window bracket (3) with the vertical groove to the marked middle of the window (figure G).
- 8 Check the correct height of the hopper window bracket by sticking 2 casing washer plates (9) horizontally into the jamb through the recess on the hopper window bracket (figure H).
- 9 Mark the holes (four) with pencil or bradawl. Drill with a  $\varnothing 2$  mm drill bit.



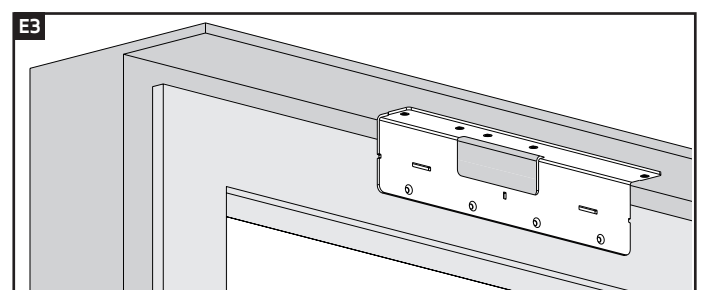
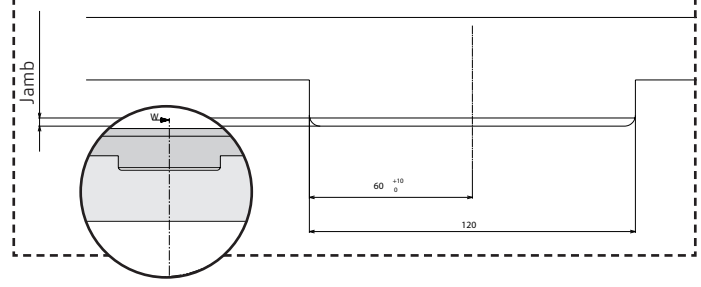
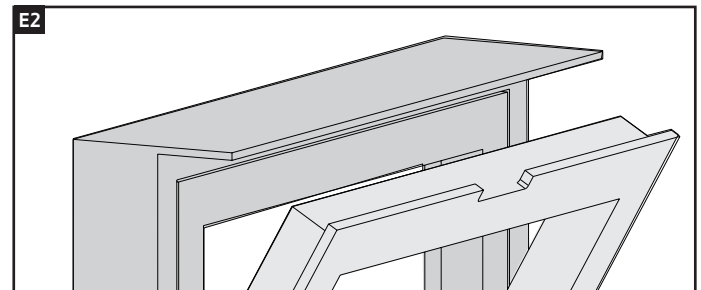
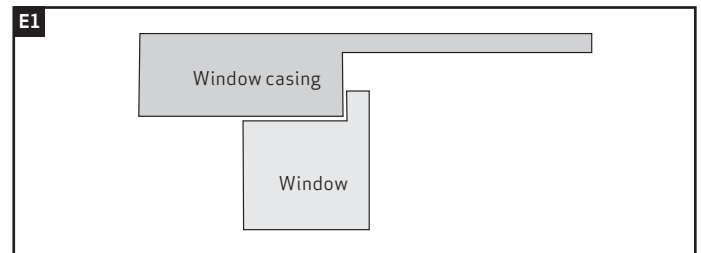
## Installation manual

### Preparation for installation on a rebate window (figure E1)

- 4 Check whether the window closes effortlessly.
- 5 Mark the middle of the window on the window casing.
- 6 Make a recess in the window according to figure E2.
- 7 Place the top of the recess on the hopper window bracket at the same height as the recess figure E3.
- 8 Mark the drilling holes and drill attachment points with a  $\varnothing 2$  mm drill.



*For the AXA Remote we recommend to use a fanlight holder, chain or cable, to prevent a window fall-through in case of an emergency.*





# AXA HOME SECURITY

## AXA Remote 2.0

EN

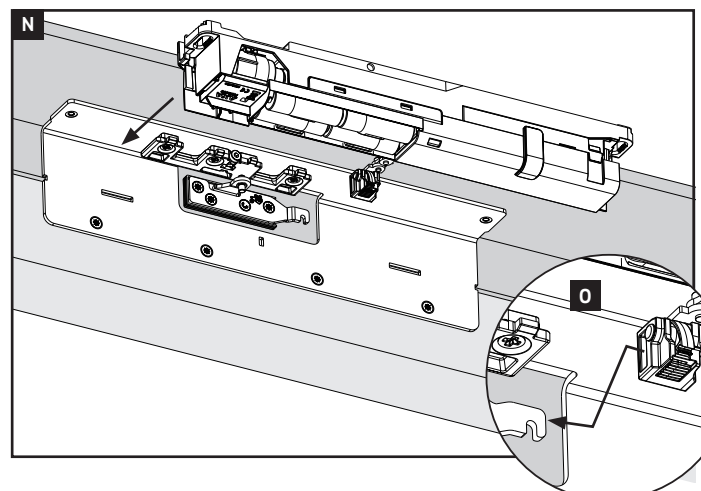
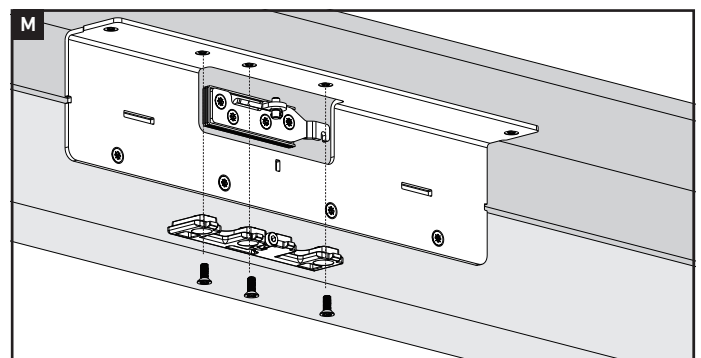
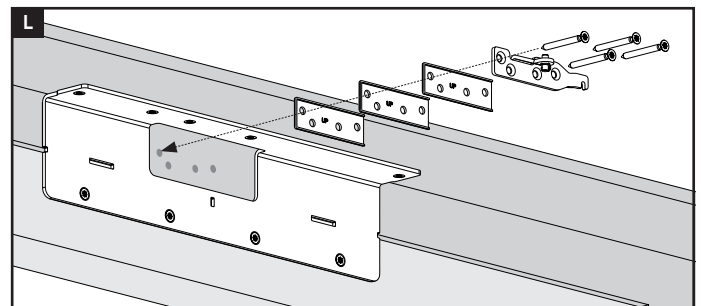
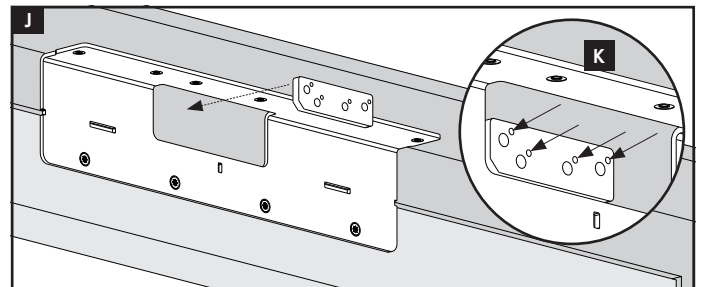
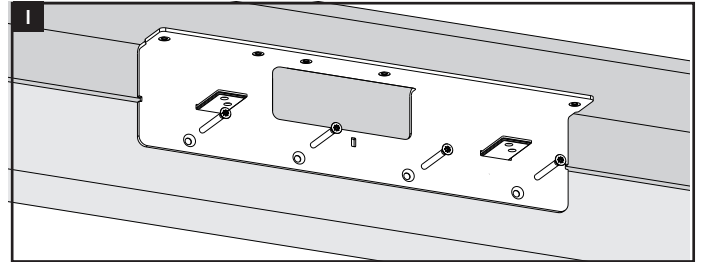


EMC 2004/108/EC

### Remote-controlled window opener

#### Installation on a flush window

- 10 Install the hopper window bracket using 4 screws 4,0 x 40 mm (12) (figure I).
- 11 Place the spacer block/drilling template (10) with the bevelled corner in the left bottom corner of the recess on the hopper window bracket (figure J). Use the 4 small holes to drill the 4 screw holes with a Ø 2 mm drill (figure K).
- 12 Fasten the casing plate (8) to the casing with the 3 accompanying casing washer plates (9) using 4 screws 4,0 x 45 mm (17) (figure L).
- 13 Attach the window plate (7) to the hopper window bracket using 3 bolts M4 x 10 mm (14) (figure M).
- 14 Slide the closing unit onto the window plate whilst holding the window slightly open (figure N).
- 15 Slide the block on the chain fully over the window plate (figure O). The block will fix itself in place.



#### Installation on a rebate window

- 9 Install the hopper window bracket using 4 screws 4,0 x 40 mm (12) (figure I).
- 10 Place the spacer block/drilling template (10) with the bevelled corner in the left bottom corner of the recess on the hopper window bracket (figure J). Use the 4 small holes to drill the 4 screw holes with a Ø 2 mm drill (figure K).
- 11 Fasten the casing plate (8) to the casing with the 3 accompanying casing washer plates (9) plus the casing plates which bridge the rebate difference using 4 screws 4,0 x 70 mm (13) (figure L) (in the pre-drilled holes).
- 12 Attach the window plate (7) to the hopper window bracket using 3 M4 x 10 mm bolts (14) (figure M).
- 13 Slide the closing unit onto the window plate while holding the window slightly open (figure N).
- 14 Slide the block on the chain fully over the window plate (figure O). The block will fix itself in place.

Continuation of step 16.



# AXA HOME SECURITY

## AXA Remote 2.0

EN



EMC 2004/108/EC

## Remote-controlled window opener

**16** Close the window with the remote control (figure **P**).



*When doing so, hold the closing unit and ensure it stays the same distance from the window.*

### Configure closing unit:

**17** The closing unit will stop flashing once it is fully closed. You can adjust the close-position using the adjustment screw.

### If the window does not close completely to normal position:

If the window is not close enough (the window moves or a draft comes through the window), you must turn the adjustment screw anti-clockwise (figure **Q**).

For effective operation and a long battery life-span, we advise not to configure the closing unit too tightly.

### If the closing unit does not lock completely:

If the closing unit does not yet close properly, the LED light will flash. In this case, the unit is too tight.

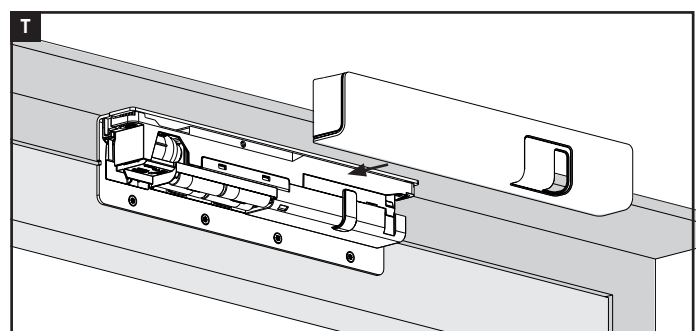
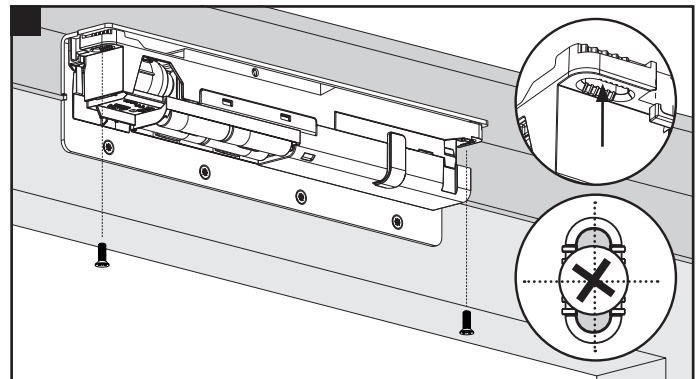
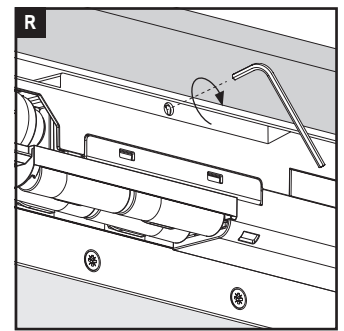
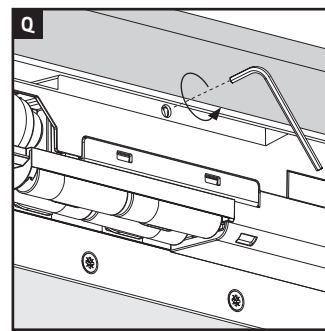
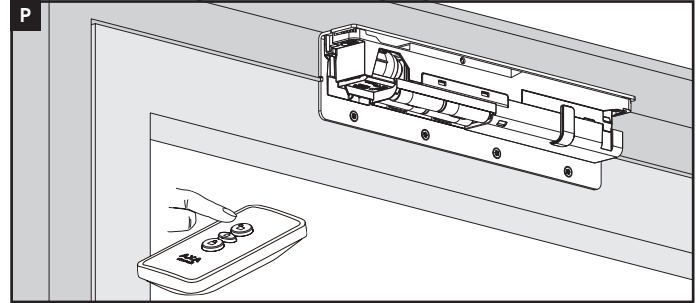
If the closing unit has been configured too tightly, you must turn the adjustment screw clockwise (figure **R**). Press the close button on the remote control once again and check whether the closing unit closes properly. Repeat this process until the unit closes properly.

### Final assembly

- 18** Screw the closing unit in place using the 2 screws (15), (4,0 x 40 mm, pre-drill Ø 2 mm), one on the left-hand side and one on the right-hand side of the unit (figure **S**). When screwing in place, ensure that the closing unit is at an equal distance from the window casing.
- 19** Check whether the window opens and closes effortlessly by fully opening and closing the window once. Unscrew the outside bolts (M4x12) and repeat step 18 if the window does not open or close properly.

### Assembly cover:

- 20** Slide the cover (2) on to the closing unit, from front to back, until it goes no further (figure **T**).
- 21** Place a plastic finishing cap (18) on each mounting screw of the hopper window bracket.
- 22** The AXA Remote 2.0 is ready for use.



NB. The AXA Remote is only intended for items with a residential or office purpose.


**AXA HOME SECURITY**

**AXA Remote 2.0**


EMC 2004/108/EC

## Remote-controlled window opener

### Troubleshooting

#### The window does not close

- Disconnect the chain from the window and check that the window does not become stuck and operates without problems.
- Check that installation steps have been followed correctly.
- The batteries may be flat (have insufficient power). Replace the batteries in the unit and/or remote control (figure **C**).
- The unit has been configured too tightly. The closing unit may (for example, the expansion and contraction of the window causes by temperature variances) if it has been configured too tightly. Remove the 2 outer screws (figure **S**) from the closing unit. Turn the adjustment screw fully to the right (figure **O**). Repeat step 14 to 17. Mount the 2 outer screws on to the window unit once again.

#### The unit does not react or reacts insufficiently

- Temporarily remove the batteries or remove the adapter plug from the power socket and wait 2 minutes. Press a button on the remote control as if you are about to use the unit. Replace the batteries or the adapter. Now try to use the unit by pressing one of the buttons on the remote control.

#### Unit does not immediately respond to the remote control, sleep mode

- To save energy, the unit switches to sleep mode after a certain period of time; that is why you sometimes need to press twice on the remote control to activate the unit.
- Environmental factors could have an impact on the range of the remote control. Full sun, TL lighting very close to the front of the unit or a dusty/moist environment could reduce the operating range. In this case, you must move closer to the closing unit to operate it.
- The batteries may be flat (have insufficient power). Replace the batteries in the unit and/or remote control.

#### Replace batteries

##### Low-battery indicator

- If the LED starts to flash red/green intermittently, this means the batteries need to be replaced very soon. The AXA-Remote will always ensure that the last remaining power in the batteries is used to close the window.
- Open the cap of the unit and remove the 4 flat batteries. Insert 4 new batteries (AA) as identified in this assembly manual (figure **C**).



**Only use good alkaline AA batteries (do not use rechargeable batteries)**

#### Configure multiple units with the same remote control

- Briefly remove the batteries from the to-be-configured window unit and wait 2 minutes. Replace the batteries. Continue to configure the remote control so long as the LED light remains green (20 seconds, see figure **C**).